

GENERAC®
Portable Products

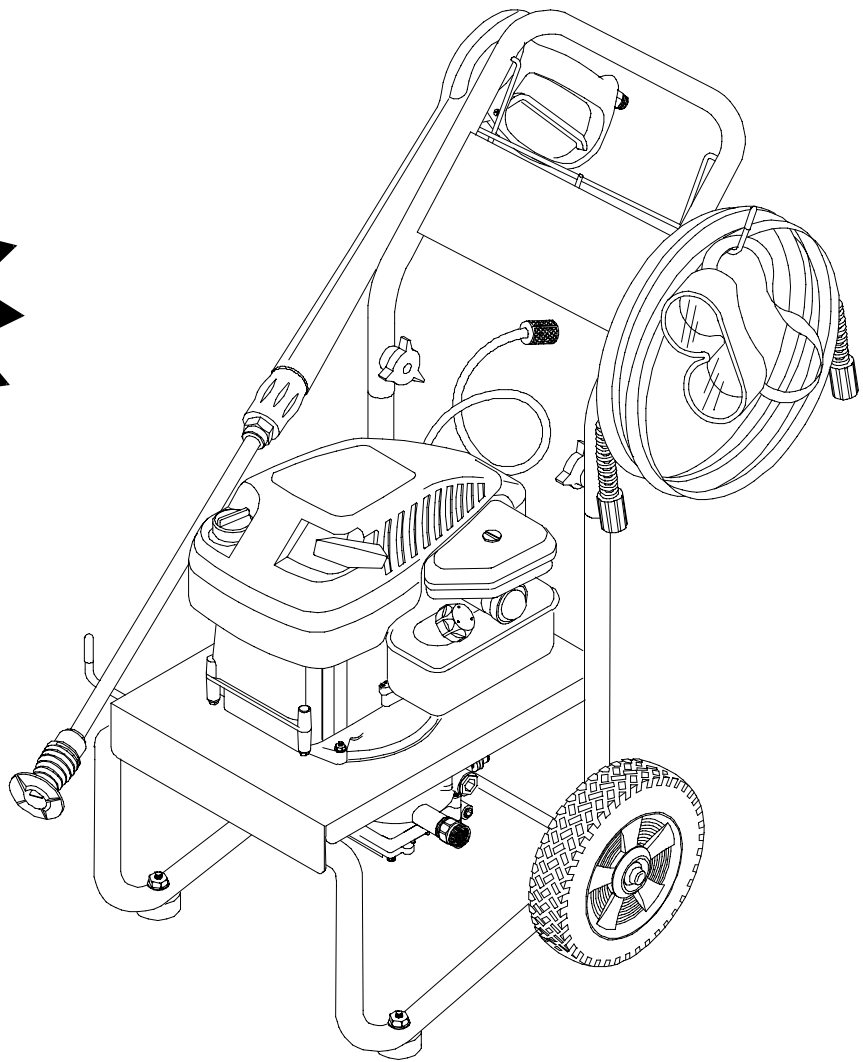
1700PSI

Pressure Washer Owner's Manual

**Problems?
Questions?**

Before taking your unit
back to the store,
call the pressure washer
helpline at

1-800-270-1408
M-F 8-5 CT



Model No. 1467-0 (1,700 PSI Pressure Washer) Manual No. 186482 Revision I (8/14/2000)

Visit our Generac website: www.generac-portables.com



This is the safety alert symbol. It is used to alert you to potential personal injury hazards. Obey all safety messages that follow this symbol to avoid possible injury or death.



EQUIPMENT DESCRIPTION

CONGRATULATIONS on your purchase of a Generac Portable Products pressure washer. It has been designed, engineered and manufactured to give you the best possible dependability and performance.

This manual contains information for an high pressure washer that operates at 1,700 PSI at a flow rate of 2.0 gallons per minute. This light-weight residential system features sturdy wheels, a pump equipped with an automatic cool-down system, a chemical injection system, safety goggles, a 25 foot high pressure hose, and an adjustable nozzle spray gun.

Please read and retain this manual. The instructions will enable you to assemble your unit and maintain your pressure washer properly.

Every effort has been made to ensure that the information in this manual is both accurate and current. However, Generac reserves the right to change, alter, or otherwise improve the product and its documentation at any time without prior notice.

Should you experience any problem you cannot easily remedy, please contact your nearest Generac Portable Products Authorized Service facility, or call 1-800-270-1408.

CUSTOMER RESPONSIBILITIES

- Read and observe the safety rules.
- Follow regular schedule in maintaining, caring for and using your high pressure washer.
- For off-season storage, review "Preparing The Unit For Storage" on page 14.

SAFETY RULES

CAUTION! When setting up, transporting, adjusting or making repairs to your pressure washer, always disconnect the spark plug wire from the spark plug and place the wire where it cannot contact spark plug.

DANGER! Engine exhaust contain DEADLY carbon monoxide gas. This dangerous gas, if breathed in sufficient concentrations, can cause unconsciousness or even death. Operate this equipment only in the open air where adequate ventilation is available.

DANGER! Gasoline is highly FLAMMABLE and its vapors are EXPLOSIVE. **Do Not** permit smoking, open flames, sparks or heat in the vicinity while handling gasoline. Avoid spilling gasoline on a hot engine. Allow unit to cool for 2 minutes before refueling. Comply with all laws regulating storage and handling of gasoline.

Read this manual carefully and become familiar with your pressure washer. Know its applications, its limitations, and any hazards involved.

	WARNING:	
The engine exhaust from this product contains chemicals known to the State of California to cause cancer, birth defects, or other reproductive harm.		

- Locate this pressure washer in areas away from combustible materials, combustible fumes or dust.
- The high pressure equipment is designed to be used with Generac authorized parts **ONLY**. If you use this equipment with parts that do not comply with minimum specifications, the user assumes all risks and liabilities.
- **Do Not** allow CHILDREN to operate the pressure washer at any time.
- Always be certain the spray gun, nozzles and accessories are correctly attached.



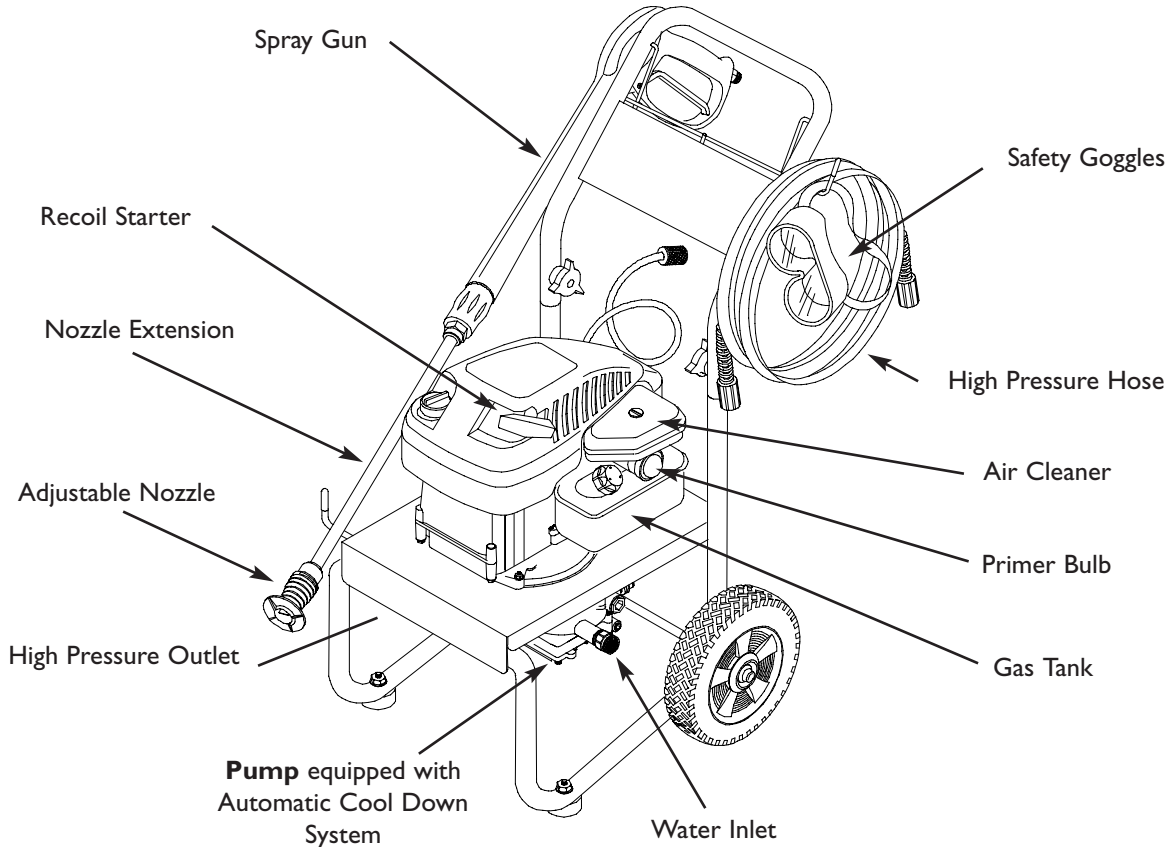
- **Do Not** wear loose clothing, jewelry or anything that may be caught in the starter or other rotating parts.
 - Before starting the pressure washer in cold weather, check all parts of the equipment and be sure ice has not formed there.
 - Units with broken or missing parts, or without protective housing or covers, should **NEVER** be operated.
 - Use a respirator or mask whenever there is a chance that vapors may be inhaled. Read all instructions with mask so you are certain the mask will provide the necessary protection against inhaling harmful vapors.
 - Always wear eye protection when you use this equipment or when you are in the vicinity where the equipment is in use.
 - The cleaning area should have adequate slopes and drainage to reduce the possibility of a fall due to slippery surfaces.
 - **Do Not** by-pass any safety device on this machine.
 - Some chemicals or detergents may be harmful if inhaled or ingested, causing severe nausea, fainting or poisoning. The harmful elements may cause property damage or severe injury.
 - **Do Not** spray flammable liquids.
 - **Never** allow any part of the body to come in contact with the fluid stream. **Do Not** come in contact with a fluid stream created by leaks in high pressure hose.
 - High pressure spray can cause paint chips or other particles to become airborne.
 - **Do Not** operate the pressure washer above the rated pressure.
 - High pressure spray may damage fragile items including glass. **Do Not** point spray gun at glass when in the jet spray mode.
 - Keep water spray away from electric wiring or fatal electric shock may result.
 - **Never** use a spray gun which does not have a trigger lock or trigger guard in place and in working order.
 - **Never** aim the spray gun at people, animals or plants. The high pressure stream of water that this equipment produces can pierce skin and its underlying tissues, leading to serious injury and possible amputation.
 - Operate and store this unit on a stable surface.
 - Hold the spray gun firmly in your hand before you start the unit. Failure to do so could result in an injury from a whipping spray gun. **Do Not** leave the spray gun unattended while the machine is running.
 - **Do Not** secure the spray gun in the (open) position.
 - Keep the hose connected to machine or the spray gun while the system is pressurized. Disconnecting the hose while the unit is pressurized is dangerous.
 - **Never** move the machine by pulling on the high pressure hose. Use the handle provided on the unit.
 - High pressure hose can develop leaks from wear, kinking, abuse, etc. Water spraying from a leak is capable of injecting material into skin. Inspect hose each time before using it. Check all hoses for cuts, leaks, abrasions or bulging of cover, or damage or movement of fittings. If any of these conditions exist, replace hose immediately. **Never** repair high pressure hose. Replace it with another hose that meets maximum pressure rating of your unit.
 - Check the fuel system for leaks or signs of deterioration, such as chafed or spongy hose, loose or missing clamps, or damaged tank or cap. Correct all defects before operating the pressure washer.
 - Operate engine only at governed speed. Running the engine at excessive speeds increases the hazard of personal injury. **Do Not** tamper with parts which may change the governed speed.
 - The muffler and engine heat up during operation and remain hot immediately after shutting it down. Avoid contact with a hot muffler or engine as you could be severely burned.
 - The muffler and air cleaner must be installed and in good condition before operating the pressure washer. These components act as spark arresters if the engine backfires.
- In the State of California a spark arrestor is required by law (Section 4442 of the California Public Resources Code). Other states may have similar laws. Federal laws apply on federal lands.
- NOTE:** If you equip the muffler with a spark arrestor, you must maintain it in effective working order. See the engine owner's manual for part number and ordering instructions.



KNOW YOUR PRESSURE WASHER

Read this owner's manual and safety rules before operating your pressure washer.

Compare the illustrations with your pressure washer to familiarize yourself with the locations of various controls and adjustments. Save this manual for future reference.



Adjustable Nozzle — Always attached to nozzle extension. Adjustable nozzle allows you to adjust pressure of spray and spray pattern.

Air Cleaner — Dry type filter element limits the amount of dirt and dust that gets in the engine.

Automatic Cool Down System — Cycles water through pump when water reaches 140°-145°F. **Warm water will discharge from pump onto ground. This system prevents internal pump damage.**

Gas Tank — Fill tank with regular unleaded gasoline.

High Pressure Hose — Connect one end to water pump and the other end to spray gun.

High Pressure Outlet — Connection for high pressure hose.

Nozzle Extension — Attach to spray gun to use adjustable nozzle.

Primer Bulb — Prepares a cold engine for starting.

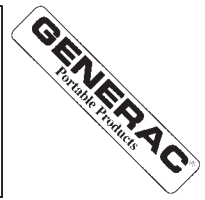
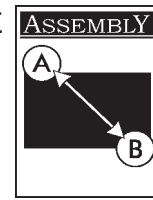
Pump — Develops high water pressure.

Recoil Starter — Used for starting the engine manually.

Safety Goggles — Always use the enclosed goggles or other eye protection when running your pressure washer.

Spray Gun — Controls the application of water onto cleaning surface with trigger device. Includes safety latch.

Water Inlet — Connection for garden hose.



Read this entire owner's manual before you attempt to assemble or operate your new pressure washer.

REMOVE PRESSURE WASHER FROM CARTON

- Remove parts box included with pressure washer.
- Slice two corners at guide handle end of carton from top to bottom so the panel can be folded down flat, then remove all packing material.
- Roll pressure washer out of carton.

CARTON CONTENTS

Items in the carton include:

- Main Unit
- Parts Box (which includes the following):
 - Wireform
 - Safety goggles
 - One bottle engine oil
 - Nozzle cleaning kit
 - Owner's manual
 - Engine manual
 - Spray gun
 - Nozzle extension
 - High pressure hose
 - Handle
 - Utility brush
 - Accessory adapter
 - O-Ring maintenance kit
 - Owner's registration card
 - Parts bag, which contains:
 - 2 Carriage bolts
 - 2 Knobs

If any of the above parts are missing or damaged, call the pressure washer helpline at **1-800-270-1408**.

PREPARING PRESSURE WASHER FOR USE

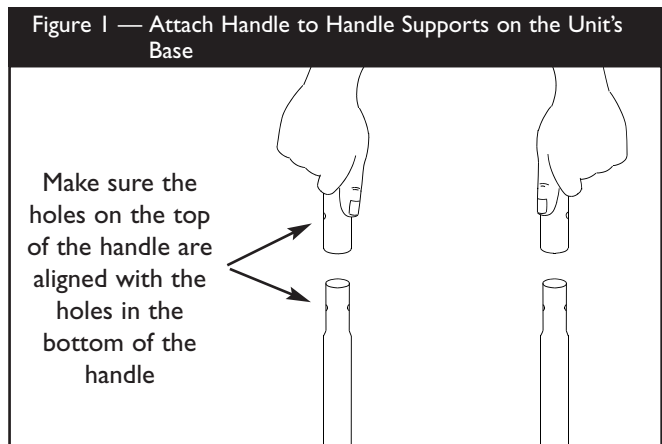
If you have any problems with the assembly of your pressure washer or if parts are missing or damaged, call the pressure washer helpline at **1-800-270-1408**.

To prepare your pressure washer for operation, you will need to perform these tasks:

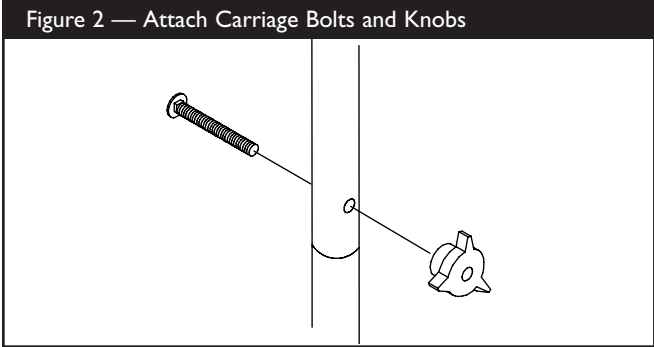
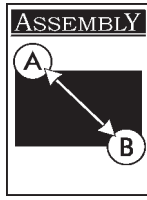
- Attach the handle and the wire form to store high pressure hose and spray gun.
- Add oil to engine crankcase.
- Add fuel to fuel tank.
- Connect high pressure hose to the spray gun and the pump and connect water supply to the pump.

Attach the Handle

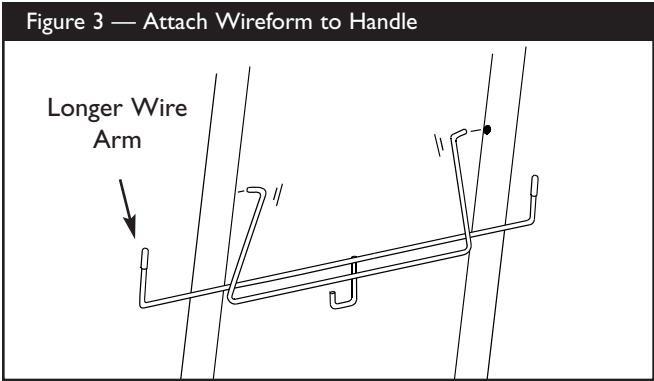
- Place the top of the handle onto the bottom of the handle already connected to the main unit making sure the holes in the top align with the holes on the bottom (Figure 1).



- Insert carriage bolts through the holes and attach the plastic knobs. Tighten the knobs by hand (Figure 2).



- Standing at the rear of the unit, insert the wire support with the longer arm positioned on the left. From the rear, the hook should resemble a “J”. (Figure 3)



Add Engine Oil

- **WARNING!** Any attempt to crank or start the engine without adding the recommended oil may result in an engine failure.
- Place pressure washer on a level surface.
- Refer to the engine owner’s manual for the method used to fill the engine with the recommended oil.

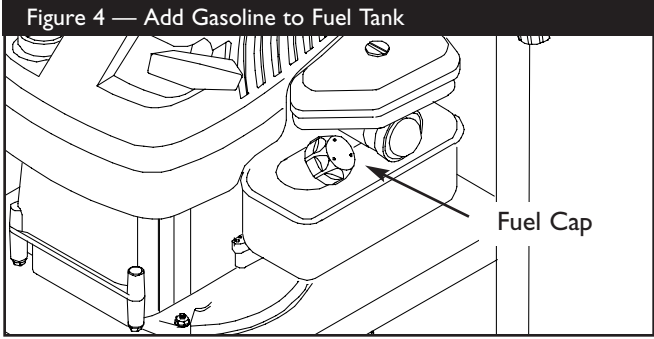
NOTE: Check oil often during engine break-in.

Add Gasoline

- **DANGER!** Never fill fuel tank indoors. Never fill fuel tank when engine is running or hot. Do Not smoke when filling fuel tank.
- **WARNING!** Never fill fuel tank completely full. Fill tank to provide space for fuel expansion. Wipe away any fuel spillage from engine and equipment before starting.

Use fresh, clean unleaded regular automotive gasoline. Store fuel in approved, clean covered containers. Use clean fill funnels. Never use “stale” gasoline left over from last season or gasoline stored for long periods.

- Clean area around fuel fill cap, remove cap.
- Slowly add “UNLEADED” regular gasoline to fuel tank, one inch below the lowest portion of the fuel fill neck. Use a funnel to prevent spillage (Figure 4).

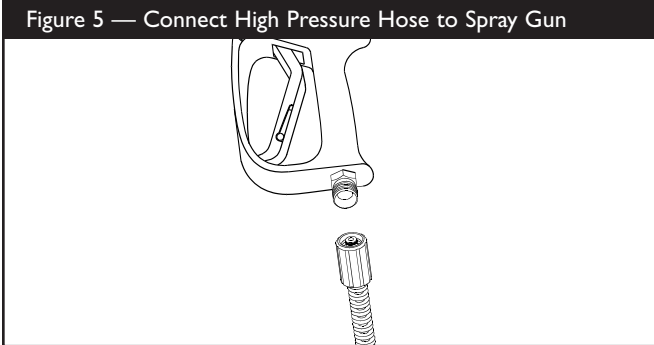
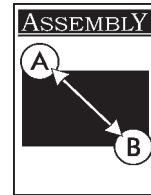


- Install fuel cap and wipe up any spilled gasoline.

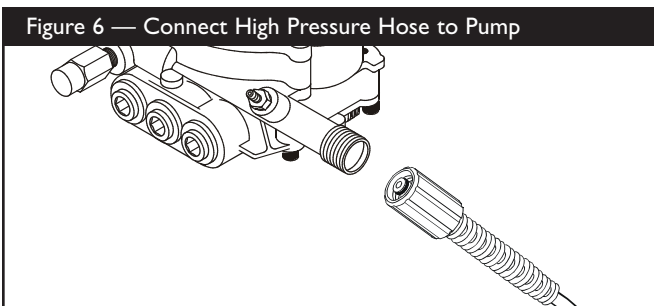
Connect Hose and Water Supply to Pump

IMPORTANT: You must attach all hoses before you start engine. Starting engine without all hoses connected and water supplied will damage pump.

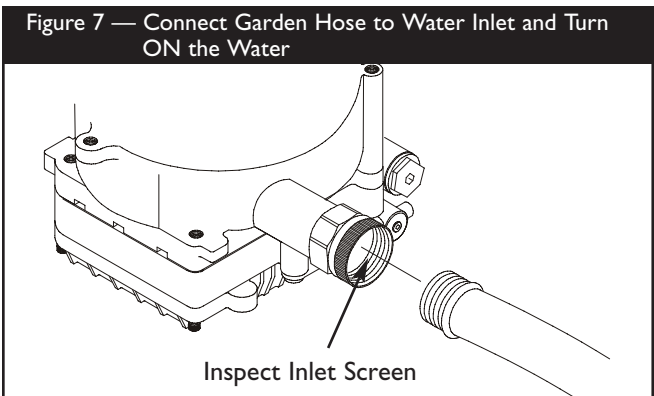
- Uncoil high pressure hose and attach one end of hose to the base of the spray gun (Figure 5). Tighten by hand.



- Attach other end of high pressure hose to the high pressure fitting on the pump (Figure 6). Tighten by hand.



- Before you connect your garden hose to the water inlet, inspect the inlet screen (Figure 7). Clean the screen if it contains debris or have it replaced if damaged. **DO NOT RUN THE PRESSURE WASHER IF THE SCREEN IS DAMAGED.**



- Purge garden hose of debris by running water through it for 30 seconds.
- Connect garden hose to water inlet. Tighten by hand (Figure 7)

WARNING! There **MUST** be at least ten feet of unrestricted garden hose between the pressure washer inlet and any flow shut off device, such as a 'Y' shut-off connector or other convenience-type water shut-off valve. Damage to pressure washer resulting from disregarding this warning will not be covered by the warranty.

- Turn ON the water.
- Squeeze trigger on spray gun to purge pump system of air and impurities.

CAUTION! Before starting the pressure washer, be sure you are wearing adequate eye protection.

CHECKLIST BEFORE STARTING ENGINE

Review the assembly to ensure that you have performed all of the following:

- Make sure the handle and wireform are in place and secure.
- Check that oil has been added to proper level in engine crankcase.
- Add proper gasoline to fuel tank.
- Check for properly tightened hose connections.
- Check that there are no kinks, cuts, or damage to the high pressure hose.
- Provide proper water supply (not to exceed 140°F) at an adequate flow.
- Be sure to read "Safety Rules" and "Preparing Pressure Washer for Use" before using the pressure washer.



HOW TO USE THE PRESSURE WASHER

If you have any problems operating your pressure washer, please call the pressure washer helpline at **1-800-270-1408**.

How to Start Your Engine

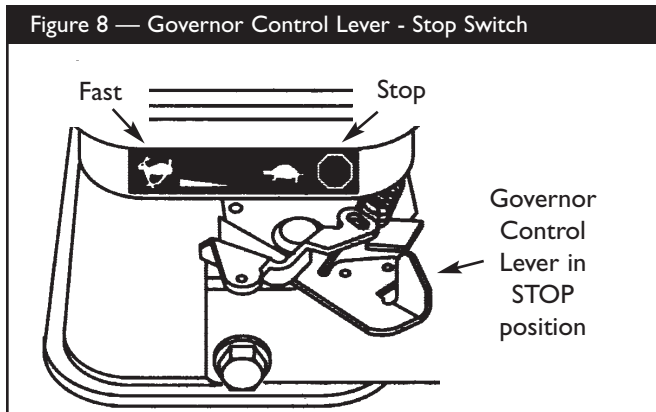
The best way to start your engine-powered pressure washer for the first time is to follow these instructions step-by-step. You may also refer to your engine owner's manual. This starting information also applies whenever you start the engine after you have let the pressure washer sit idle for at least a day.

CAUTION: Before starting the pressure washer, be sure you are wearing adequate eye protection.

- Place the pressure washer in an area close enough to a water source capable of supplying water at a flow rate greater than 2.5 gallons per minute.
- Check that the high pressure hose is tightly connected to the spray gun and to the pump. See "Preparing Pressure Washer for Use" on page 5.
- Make sure unit is in a level position.
- Connect the garden hose to the water inlet on the pressure washer pump. **Turn ON the water.**

CAUTION: Do Not run the pump without the water supply connected and turned on. You must follow this caution or the pump will be damaged.

- Move the governor control lever to the "Fast" position (shown in Figure 8 as a rabbit).



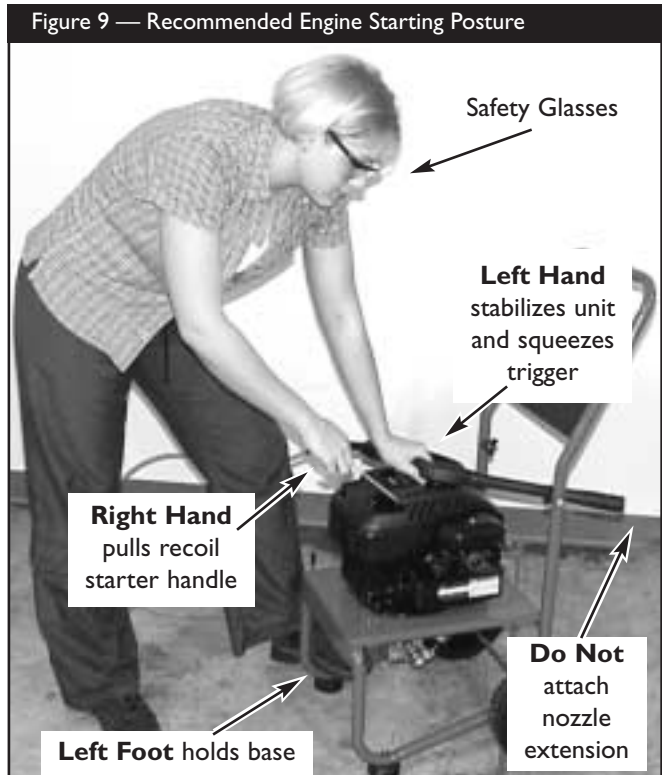
NOTE: For a warm engine, be sure the governor control lever is in the "Fast" position.

To start the engine for the very first time:

- Make sure the governor control lever is in the "Fast" position (indicated on the engine as a rabbit).
- Push primer bulb firmly 5 times, waiting 2 seconds between each push. Review specific engine start instructions in the engine owner's manual.

To start engine thereafter:

- Make sure the governor control lever is in the "Fast" position (indicated on the engine as a rabbit).
- Press the primer bulb firmly 3 times, waiting 2 seconds between each push. For a warm engine, **Do Not** press the prime button.
- Ensure that the nozzle extension is NOT attached to the spray gun. The spray gun should be held in the **left** hand, as shown in Figure 9. The left hand should also be used to steady the unit.



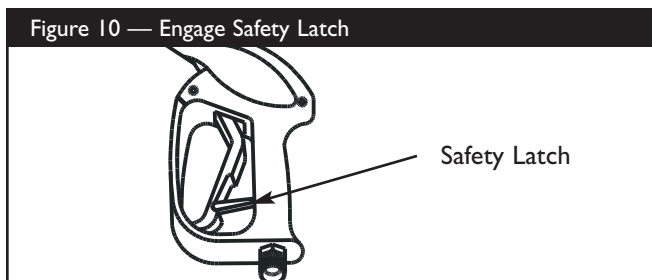
- Place your left foot on the unit's base, as shown.



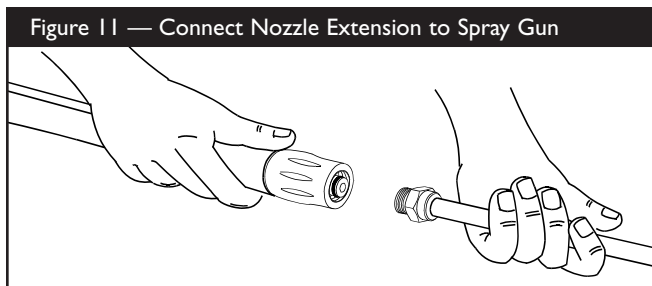
- Standing at the front of the unit, squeeze the trigger on the spray gun. Water will flow out of the spray gun in a thin stream. Continue to squeeze the trigger.
- Grasp the recoil starter handle with your **right** hand and pull slowly until you feel some resistance. Then pull rapidly to start the engine.
- Return the starter handle slowly. **Do Not** let the rope “snap back” against the starter.

NOTE: Always keep the governor control lever in the “**Fast**” position when operating the pressure washer.

- If the engine fails to start repeat above steps or refer to the engine owner’s manual.
- With the engine running, engage the safety latch to the spray gun trigger (Figure 10).



- Attach the nozzle extension to the spray gun. Tighten by hand (Figure 11).



How to Stop Pressure Washer

- Move the governor control lever to the “**Slow**” position (indicated on the engine as a turtle).
- Let the engine idle for two minutes.
- Move the governor control lever to the “**Stop**” position (fully to the right as you face the lever).

- Simply shutting off the engine will not release pressure in the system. **Squeeze trigger on the spray gun to relieve pressure in the hose.**

NOTE: A small amount of water will squirt out when you release the pressure.

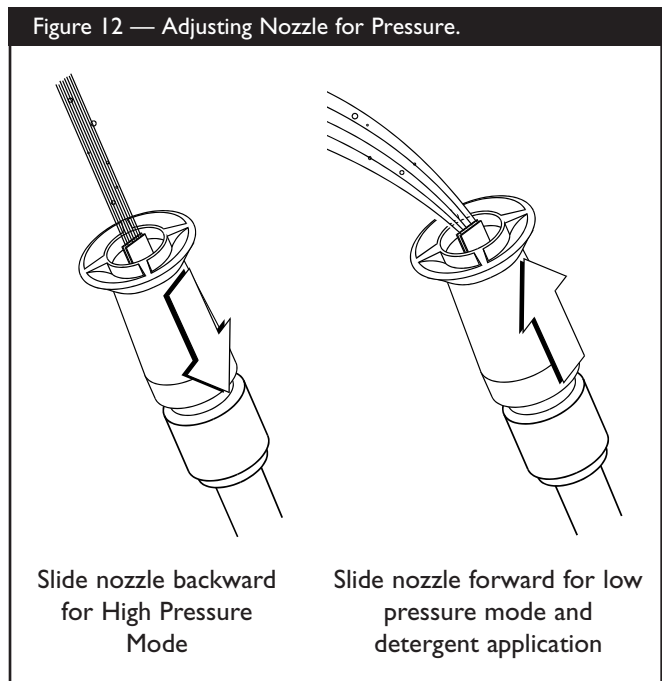
How to Use the Adjustable Nozzle

You now should know how to **START** your pressure washer and how to **STOP** it. The information in this section will tell you how to adjust the spray pattern and to apply detergent or other cleaning chemicals.

! DANGER! Never adjust spray pattern when spraying. **Never** put hands in front of nozzle to adjust spray pattern.

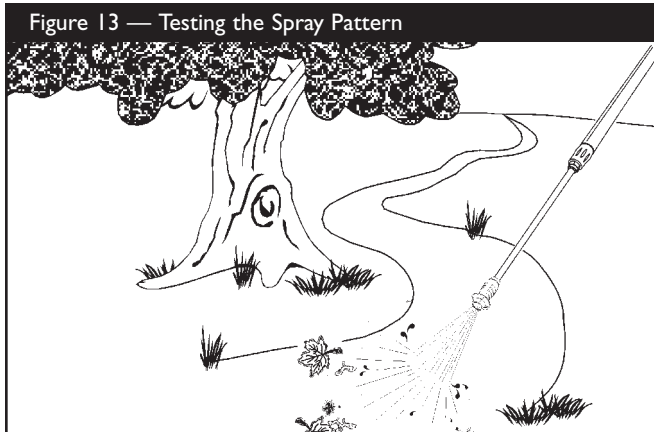
Your pressure washer is equipped with an adjustable nozzle that permits you to adjust the spray pattern and spray pressure, as follows:

- Slide the nozzle forward when you wish to adjust the spray to low pressure mode (Figure 12). Slide the nozzle backward to achieve high pressure.

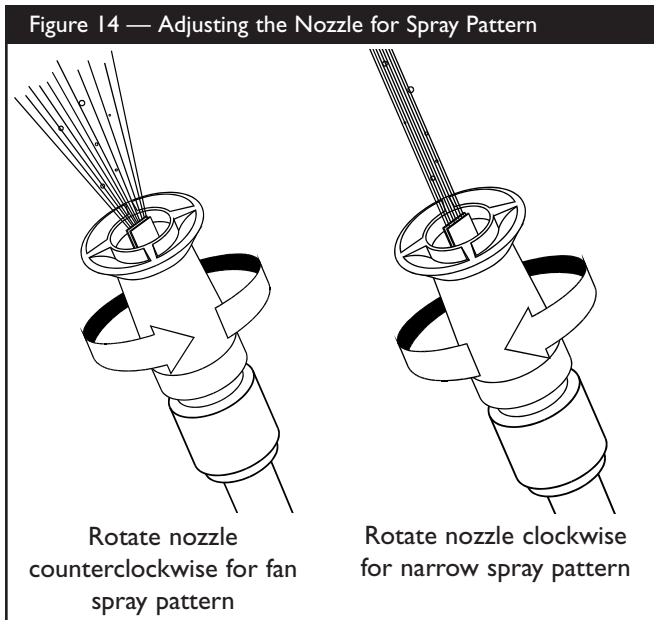




- Point the nozzle down towards a firm surface and press the trigger to test the pattern (Figure 13).



- Twisting the nozzle adjusts the spray pattern from a narrow pattern to a fan pattern (Figure 14).



- For most effective cleaning, keep spray nozzle between 8 to 24 inches away from cleaning surface.
- If you get the spray nozzle too close, especially using high pressure mode, you may damage the cleaning surface.
- **Do Not** get closer than 6 inches when cleaning automobile tires.

Applying Detergent with the Adjustable Nozzle

IMPORTANT: Use soaps designed specifically for pressure washers. Household detergents could damage the pump.

IMPORTANT: You **MUST** attach all hoses before you start the engine. Starting the engine without all the hoses connected and without the water turned ON will damage the pump.

To apply detergent, follow these steps:

- Review the use of adjustable nozzles.
- Prepare the detergent solution as required by the job.
- Hang the detergent solution container on the hook provided on the handle (Figure 15).



- Place small filter of the detergent siphoning tube into the detergent container.

CAUTION! Keep the plastic siphon tube from coming in contact with the hot muffler as this will damage the tube. When inserting the filter into a cleaning agent container, route the tube so as to keep it from inadvertently contacting the hot muffler.

- Slide the adjustable nozzle forward to low pressure mode. Detergent cannot be applied with nozzle in high pressure position.

IMPORTANT: Detergent cannot be applied without the water source turned ON.



- Make sure garden hose is connected to water inlet. Check that high pressure hose is connected to spray gun and pump.
- Start engine and attach nozzle extension.
- Apply detergent to a dry surface, starting from the bottom and working up.
- Allow the detergent to soak in between 3-5 minutes before washing and rinsing. Reapply as needed to prevent surface from drying.
- For washing, start at lower portion of area to be washed and work upward, using long, even overlapping strokes.

Pressure Washer Rinsing

WARNING: Be extremely careful if you must use the pressure washer from a ladder, scaffolding or any other relatively unstable location. Pressure in a running washer builds as you climb. When you press the trigger, the recoil from the initial spray could cause you to fall. The high pressure spray could also cause you to fall if you are too close to the cleaning surface.

For Rinsing:

- Slide nozzle backward to high pressure and wait for detergent to clear.

NOTE: You can also stop detergent from flowing by simply removing siphon tube from bottle.

- Keep the spray gun a safe distance from the area you plan to spray.
- Apply the high pressure spray to a small area and check the surface for damage. If no damage is found, you can assume it is okay to continue cleaning.

- Start at top of area to be rinsed, working downward with the same overlapping strokes as you used for applying chemical.

Automatic Cool Down System (Thermal Relief)

If you run the engine on your pressure washer for 3-5 minutes without pressing the trigger on the spray gun, circulating water in the pump can reach a temperature between 140–145°F. When the water reaches this temperature, the automatic cool down system engages and cools the pump by **discharging the warm water onto the ground**. This system prevents internal damage to the pump.

SPECIFICATIONS

Outlet Pressure 1,700 psi

Flow Rate 2.0 gallons per minute (gpm)

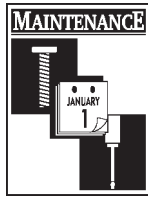
Detergent Mix Use undiluted detergent approved for pressure washers

Water Supply Not to Exceed 140°F

Temperature

Automatic Cool Will cycle when water

Down System reaches 140°-145°F



GENERAL MAINTENANCE RECOMMENDATIONS

The pressure washer warranty does not cover items that have been subjected to operator abuse or negligence. To receive full value from the warranty, the operator must maintain the pressure washer as instructed in this manual.

- Some adjustments will need to be made periodically to properly maintain your pressure washer.
- All procedures described in the Maintenance section of this manual should be performed at least once each season.
- Once a year you should clean or replace the spark plug and clean or replace the air filter. A new spark plug and clean air filter assure proper fuel-air mixture and help your engine run better and last longer. Check the spray gun and nozzle extension for wear.

Before Each Use

- Check engine oil level.
- Check water inlet screen for damage.
- Check high pressure hose for leaks.
- Check detergent siphon tube and filter for damage.
- Check spray gun and nozzle extension for leaks.
- Rinse out garden hose to flush out debris **before** connecting to pressure washer.

PRESSURE WASHER MAINTENANCE

Check and Clean Inlet Screen

Examine screen on the water inlet. Clean if the screen is clogged or replace if screen is damaged.

Check High Pressure Hose

A high pressure hose can develop leaks from wear, kinking, or abuse. Inspect the hose each time before using it. Check for cuts, leaks, abrasions or bulging of cover, damage or movement of couplings. If any of these conditions exist, replace hose immediately.



DANGER! Water spraying from a leak is capable of injecting material into skin. Inspect hose each time before using it. **Never** repair a high pressure hose. Replace it with another hose that meets the maximum pressure rating of your pressure washer.

Check Detergent Siphon Tube

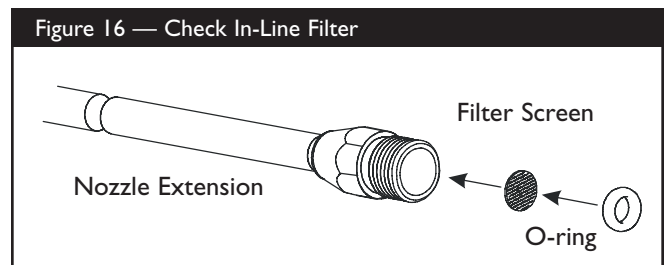
Examine the filter on the detergent siphon tube and clean if clogged. Tube should fit tightly on barbed fitting. Examine tube for leaks or tears. Replace the filter or tube if either is damaged.

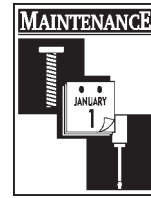
Check Gun and Nozzle Extension

Examine hose connection to spray gun and make sure it is secure. Test trigger by pressing it and making sure it springs back into place when you release it. Put safety latch in ON position and test trigger. You should not be able to press trigger.

Check In-Line Filter

Refer to Figure 16 and service the in-line filter if it becomes clogged, as follows:





1. Detach spray gun from high pressure hose. Detach nozzle extension from spray gun and remove o-ring and screen from nozzle extension. Flush the screen, spray gun, and nozzle extension with clean water to clear debris.
2. If the screen is damaged, the o-ring kit contains a replacement in-line filter screen and an o-ring. If undamaged, reuse screen.
3. Place the in-line filter screen into the threaded end of the nozzle extension. Direction does not matter. Push the screen in with the eraser end of a pencil until it rests flat at the bottom of the opening. Take care to not bend the screen.
4. Place the o-ring into the recess. Push the o-ring snugly against the in-line filter screen.
5. Assemble the nozzle extension to the spray gun, as described earlier in this manual.

Purge Pump of Air and Contaminants

To remove air from the pump, follow these steps:

- Set up the pressure washer as described in “Preparing Pressure Washer for Use” and connect the water supply.
- Pull the trigger on the spray gun and hold.

To remove contaminants from the pump, follow these steps:

- Set up the pressure washer as described in “Preparing Pressure Washer for Use” and connect the water supply.
- Start the engine according to instructions in “How To Start Your Engine”.
- Squeeze the trigger on the spray gun and hold.
- When the water supply is steady and constant, engage the safety latch and attach the nozzle extension.

Cleaning Chemical Siphon Tube

If you have used the chemical siphon tube you must flush it with clean water before stopping the engine.

- Place chemical siphon tube filter into a bucket full of clean water.
- Flush for five minutes.
- Shut off the engine.

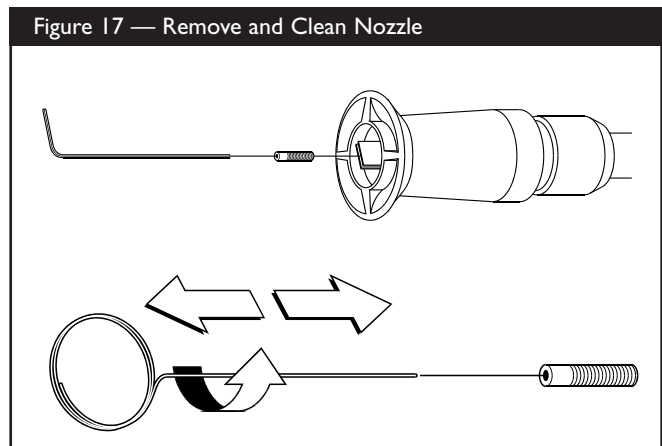
IMPORTANT: Simply shutting OFF engine will not release pressure in the system. When engine has shut down, **squeeze the trigger** on the spray gun to relieve the pressure in the hose.

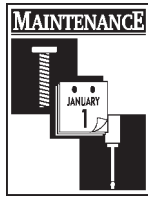
Nozzle Maintenance

If an adjustable nozzle becomes restricted or clogged with foreign materials, such as dirt, a pulsing sensation during use may occur. If pulsing occurs or the nozzle becomes partially restricted, immediately clean the nozzle with the kit included with your pressure washer.

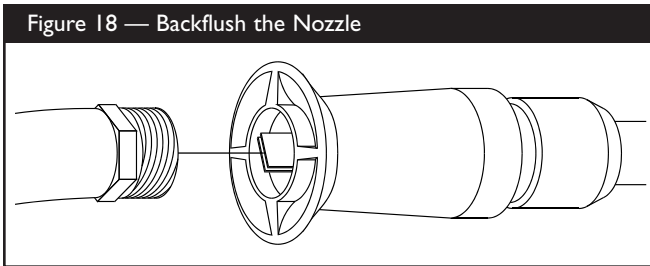
To clean the nozzle:

- Shut off the engine and turn off the water supply.
- Detach the nozzle extension from the spray gun.
- Adjust the nozzle extension to the stream position.
- Remove nozzle from the end of the nozzle extension (Figure 17) using a 2mm or 5/64 allen wrench (included in the kit).





- Use the wire included in the kit (Figure 17) or a small paper clip to free the foreign materials clogging or restricting the nozzle.
- Remove additional debris by back flushing water supply through nozzle extension (Figure 18). Back flush between 30 to 60 seconds. Turn nozzle extension to stream spray and move nozzle from low to high while flushing.



- Reinstall nozzle into the nozzle extension. **Do Not** over tighten.
- Reconnect the water supply, turn on the water, and start the engine.
- Reconnect the nozzle extension to the spray gun.
- Test the pressure washer by operating with nozzle in the high and in the low position.

O-RING MAINTENANCE

O-rings keep the connections of the hoses and spray gun tight and leak-free. Through the normal operation of your pressure washer, o-rings may become worn or damaged.

Provided with your pressure washer is an O-Ring Maintenance Kit which includes replacement o-rings, rubber washer and water inlet filter. Refer to the instruction sheet provided in the kit to service your unit's o-rings. Note that not all of the parts in the kit will be used on your unit.

To remove a worn or damaged o-ring:

- Use a small flathead screwdriver to get underneath the o-ring and pry it off.

ENGINE MAINTENANCE

See the engine owner's manual for instructions on how to properly maintain the engine.

PREPARING THE UNIT FOR STORAGE

Water should not remain in the unit for long periods of time. Sediments of minerals can deposit on pump parts and "freeze" pump action. If you do not plan to use the pressure washer for more than 30 days, follow this procedure:

1. Flush detergent siphon tube by placing the siphon tube filter into a pail of clean water while running pressure washer with nozzle in low pressure mode. Flush for five minutes.
 2. Shut off the engine and let it cool, then remove all hoses.
 3. Place governor control lever in "Stop" position.
4. Empty the pump of all pumped liquids by pulling recoil handle about 6 times. This should remove most of the liquid in the pump.

CAUTION! Be sure lever is in "Stop" position before you continue. If you start engine without proper water supply connected, you can damage pump.

- NOTE:** To protect unit from freezing temperatures, draw windshield washer fluid into pump by pouring windshield washer fluid into a 3-foot section of garden hose connected to inlet adapter and pulling recoil handle twice.
5. Store in a clean, dry area.

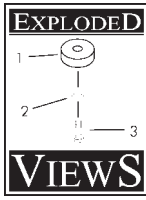
STORING THE ENGINE

See the engine owner's manual for instructions on how to properly store the engine.

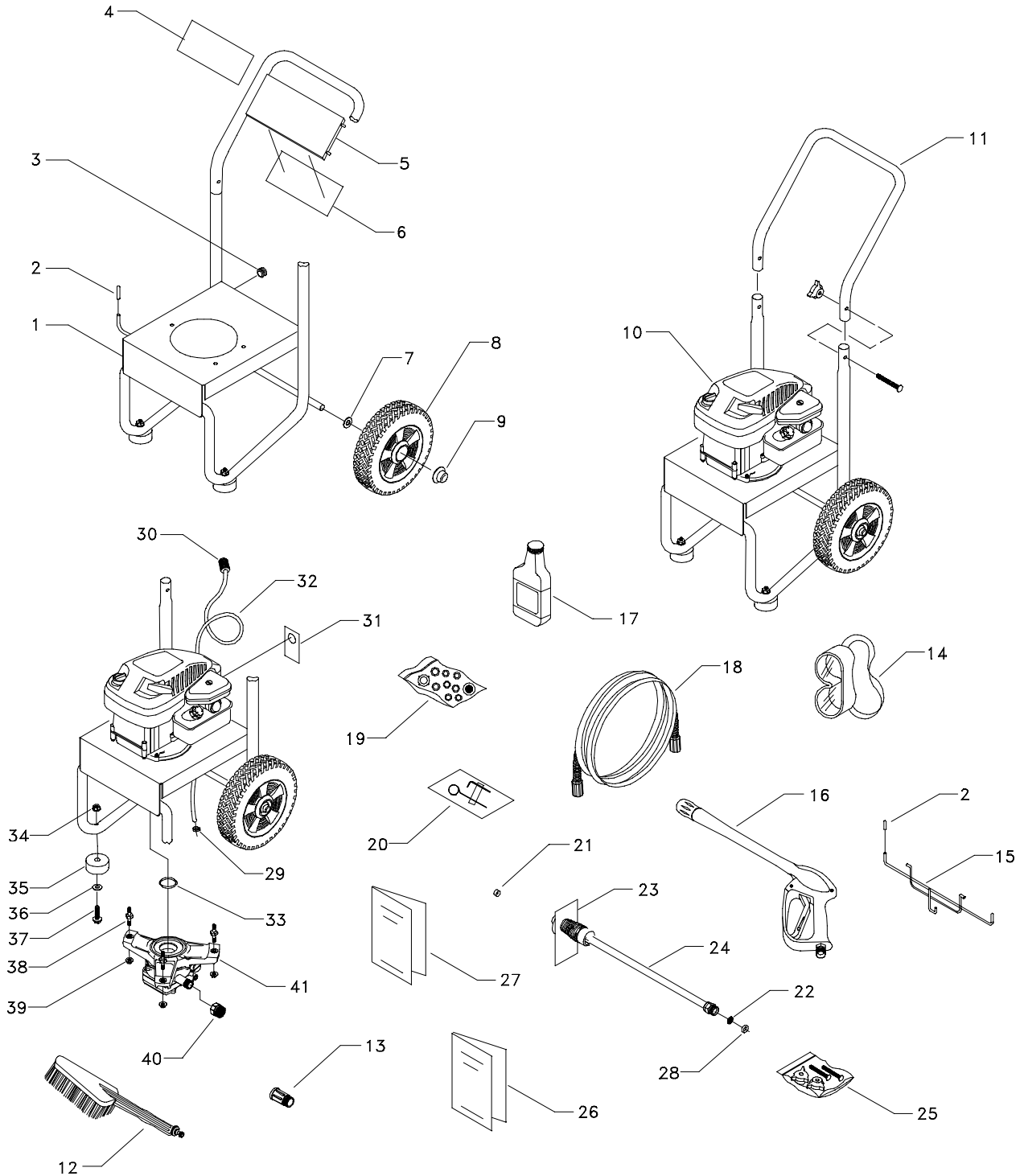


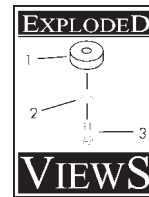
TROUBLESHOOTING

Problem	Cause	Solution
Pump has the following problems: Failure to produce adequate pressure, erratic pressure, chattering, loss of pressure or low water volume.	<ol style="list-style-type: none"> 1. Nozzle in low pressure. 2. Water inlet is blocked. 3. Inadequate water supply. 4. Garden hose is kinked or leaking. 5. Clogged water inlet screen. 6. Water supply is over 140°F. 7. Outlet hose is blocked or leaks. 8. Gun leaks. 9. Nozzle is obstructed. 10. Pump is faulty. 	<ol style="list-style-type: none"> 1. Move nozzle to high pressure. 2. Clear inlet. 3. Make sure you have at least a 2.5 GPM flow for your garden hose. 4. Straighten garden hose or patch leak. 5. Check and clean water inlet screen. 6. Provide cooler water supply. 7. Clear blocks in outlet hose. Replace immediately if leaking. 8. Replace gun. 9. Clear nozzle. 10. Contact Generac service facility.
Detergent fails to mix with spray.	<ol style="list-style-type: none"> 1. Chemical injector hose is not submerged. 2. Chemical injector hose is clogged. 3. Nozzle is in high pressure mode. 	<ol style="list-style-type: none"> 1. Insert chemical injection filter into detergent. 2. Clean or replace filter/chemical injector hose. 3. Move nozzle into low pressure mode.
Engine runs well when not spraying but “bogs down” when trigger is squeezed.	Engine speed is too slow.	Contact Briggs & Stratton service facility.
Engine will not start; or starts and runs rough.	<ol style="list-style-type: none"> 1. Low oil level. 2. Dirty air cleaner. 3. Out of gasoline. 4. Stale gasoline. 5. Spark plug wire not connected to spark plug. 6. Bad spark plug. 7. Water in gasoline. 8. Excessively rich fuel mixture. 9. Intake valve stuck open or closed. 10. Engine has lost compression 	<ol style="list-style-type: none"> 1. Fill crankcase to proper level. 2. Clean or replace air filter. 3. Fill fuel tank. 4. Drain gas tank; fill with fresh fuel. 5. Connect wire to spark plug. 6. Replace spark plug. 7. Drain gas tank; fill with fresh fuel. 8. Contact Briggs & Stratton service facility. 9. Contact Briggs & Stratton service facility. 10. Contact Briggs & Stratton service facility.
Engine shuts down during operation.	<ol style="list-style-type: none"> 1. Out of gasoline. 2. Low oil level. 	<ol style="list-style-type: none"> 1. Fill fuel tank. 2. Fill crankcase to proper level.
Engine lacks power.	Dirty air filter.	Replace air filter.
Engine “hunts” or falters.	Engine is not operating properly.	Contact Briggs & Stratton service facility.



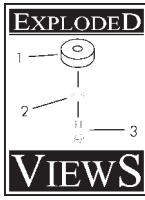
EXPLODED VIEW — PRESSURE WASHER



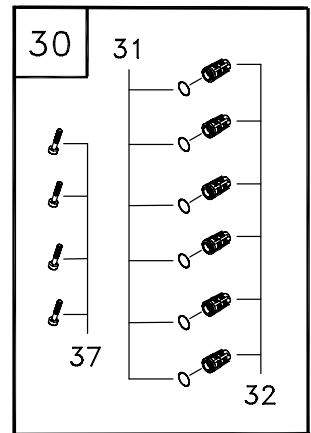
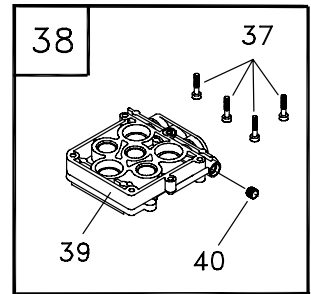
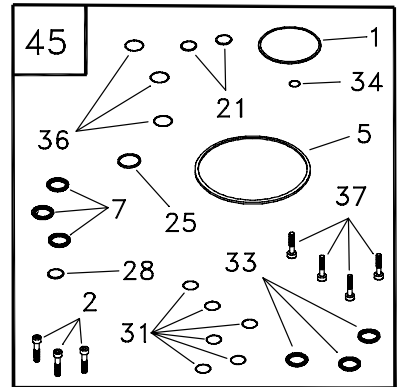
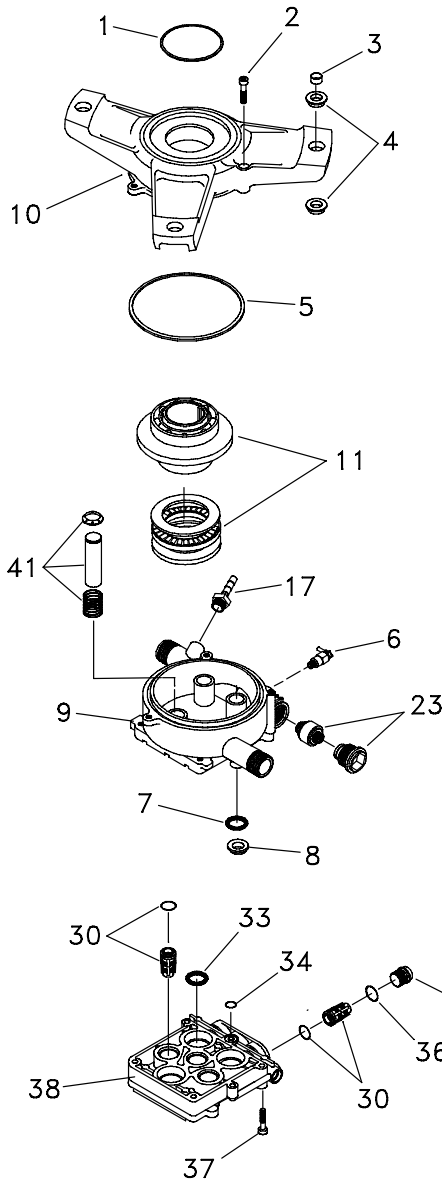
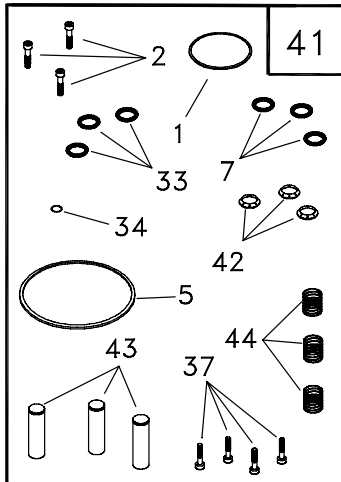
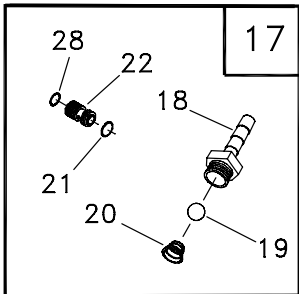
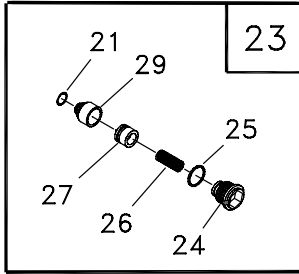
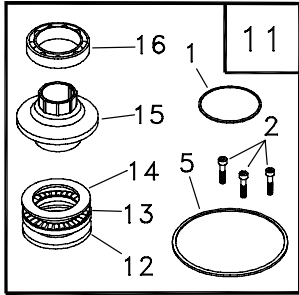


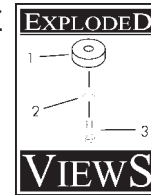
PARTS LIST — PRESSURE WASHER

Item	Part #	Qty	Description
1	AB1939	1	BASE, VSPW
2	B1460	1	CAP, Vinyl Black
3	30809	1	GROMMET, Chemical Hose
4	186481	1	DECAL, Logo 1700 PSI
5	B1631B	1	BILLBOARD, Plastic
6	B1932	1	DECAL, Instructions
7	49808	2	WASHER, M12 Flat
8	B2142	2	TIRE, 2" X 9" Black Mag
9	75402	2	PUSHNUT, 1/2"
10	NSP	1	ENGINE
11	AB1945	1	HANDLE, VS PW
12	88185	1	BRUSH, Utility
13	88935	1	ADAPTER, Brush Extension
14	87815	1	GOGGLES, Safety
15	B1953A	1	WIREFORM
16	B3263	1	SPRAY GUN, High Pressure
17	BB3061B	1	OIL, 20oz
18	B5693	1	HOSE, 1/4" X 25'
19	B5830	1	KIT, O-Ring Maintenance
20	B2163	1	KIT, Nozzle Cleaning
21	21761	1	NOZZLE, Replacement
22	B4224	1	SCREEN, Gun Inlet
23	97566	1	HANG TAG, Nozzle
24	B3335	1	EXTENSION, Adjustable Nozzle
25	B2203	1	KIT, Handle Fastening
26	186539	1	MANUAL, Engine
27	186482	1	MANUAL, Owner's
28	97837	1	O-RING, Hi Pressure Transfer
29	48031G	1	CLAMP, Hose 3/16"
30	A1041	1	FILTER, Chemical Hose
31	B1210A	1	CARD, Starting Instructions
32	A1040B	1	HOSE, Chemical
33	98300	1	SEAL, Engine Donut
34	52858	2	NUT, M8 Locking Flange
35	27007	2	MOUNT, Rubber Foot
36	50190	2	WASHER, M8 Flat
37	B1214	2	HHCS, M8 X 1.25 X 45
38	B1735	3	STUD, Double Ended
39	B1880	3	NUT, With Washer
40	21424	1	CONNECTOR, Garden Hose
41	B3468A	1	PUMP (See pages 18-19)



EXPLODED VIEW — PUMP





PARTS LIST — PUMP

Item	Part #	Qty	Description	Item	Part #	Qty	Description
1	98300	1	SEAL, Engine Donut	34	97837	1	O-RING, Hi-Pressure Transfer
2	97962	3	SHCS, M6 - 1 x 25	35	97841	3	CAP, Outlet Check Valve
3	96795	3	SLEEVE, Grommet Spacer	36	97840	3	O-RING, Outlet CV Cap
4	21429	6	BUSHING, Rubber Mount	37	40946	4	SHCS, M6-1.0 x 35
5	97835	1	O-RING, Housing Seal	38	B4186	0	KIT, HEAD CASTING SFG
6	21783	1	THERMAL RELIEF	37	4	SHCS, M6-1.0 x 35
7	93680	3	SEAL, Oil Piston 15 TC4	39	1	HEAD, Pump
8	97831	3	SPACER, Pilot	40	1	PLUG, 1/8-28 W/VIBR
9	B2702	1	HOUSING, Piston	41	B2312	0	KIT, PISTON & SPRING
10	98227	1	ADAPTER, Engine	1	1	SEAL, Engine Donut
11	B2310	0	KIT, AXIAL CAM SERV	2	3	SHCS, M6 - 1 x 25
1	1	SEAL, Engine Donut	7	3	SEAL, Oil Piston 15 TC4
2	3	SHCS, M6 - 1 x 25	5	1	O-RING, Housing Seal
5	1	O-RING, Housing Seal	33	3	SEAL, Double-Lip
12	1	WASHER, Brg. 36 x 65 x 6Thk	34	1	O-RING, High Pressure Transfer
13	1	ASSY., Brg. Cage 45 x 65	37	4	SHCS, M6-1.0 x 35
14	1	WASHER, Brg. 45 x 65 x 1	42	3	RETAINER, Piston Spring
15	1	CAM, Axial 5.6 VS	43	3	PISTON, Dia. 15 x 65
16	1	BALL BEARING, 35 x 72 x 17	44	3	SPRING, Piston Return
17	185287	0	KIT, CHEM INJECT	45	B1933	0	KIT, O-RING/SEAL SERV
18	1	FITTING, Chem Inject	1	1	SEAL, Engine Donut
19	1	BALL, Chem Inject	2	3	SHCS, M6 - 1 x 25
20	1	SPRING, Chem Inject	5	1	O-RING, Housing Seal
21	1	O-RING, Venturi & Seat, Black	7	3	SEAL, Oil Piston 15 TC4
22	1	VENTURI, Chem Inject	21	2	O-RING, Venturi & Seat, Black
28	1	O-RING, Venturi, Yellow	25	1	O-RING, Unloader Cap
23	185711	0	KIT, UNLOADER	28	1	O-RING, Venturi, Yellow
21	1	O-RING, Venturi & Seat, Black	31	6	O-RING, Check Valve
24	1	CAP, Unloader	33	3	SEAL, Double-Lip
25	1	O-RING, Unloader Cap	34	1	O-RING, High Pressure Transfer
26	1	SPRING, 2000 Unloader	36	3	O-RING, Outlet CV Cap
27	1	PISTON, Unloader	37	4	SHCS, M6-1.0 x 35
29	1	SEAT, 2000 Unloader				
30	B3513	0	KIT, CHECK VALVES				
31	6	O-RING, Check Valve				
32	6	ASSY., Check Valve				
37	4	SHCS, M6-1.0 x 35				
33	B3286	3	SEAL, Double-Lip				

Item numbers 11, 17, 23, 30, 38, 41, and 45 are service kits and include all parts shown within the box. Items previously described are not listed under the service kit number. Certain items are only available as a part of a kit.

LIMITED PRESSURE WASHER WARRANTY

GENERAC PORTABLE PRODUCTS (hereafter referred to as the COMPANY) warrants to the original retail purchaser, the pressure washer manufactured by the COMPANY to be free from defects in material and workmanship for the period(s) set forth below from the date of original purchase. This warranty is not transferable. The term "original purchaser" means the person for whom the pressure washer is originally purchased.

Warranty Schedules

Electric Power Washer	1 year (does not apply to commercial or rental applications)		
		CONSUMER*	COMMERCIAL*
All Other Engine-driven	Engine:	Warranted solely by Engine Manufacturer	Warranted solely by Engine Manufacturer
	Pump:	1 year	90 days

*** NOTE: For the purpose of this warranty "consumer" use means personal residential household use by original purchaser. "Commercial" use means all other uses, including rental, construction, commercial and income producing purposes. Once a pressure washer has experienced commercial use, it shall thereafter be considered a commercial use pressure washer for the purposes of this warranty.**

During said warranty period, the COMPANY will, at its option, repair or replace any part which, upon examination by the COMPANY or COMPANY-Authorized Dealers, is found to be defective under normal use and service**. All transportation costs under warranty, including return to the factory if necessary, are to be borne by the purchaser and prepaid by the purchaser.

**** NORMAL WEAR: As with all mechanical devices, pressure washers need periodic parts service and replacement to perform well. This warranty does not cover repair when normal use has exhausted the life of a part or pressure washer pump.**

This warranty does not include: Used products and demonstration equipment. Parts, such as GUNS, HOSES, WANDS, NOZZLES or other wear items such as quick couplers, oil, gauges, belts, o-rings, filters, pump packing, etc. Pumps which have been run without water supplied. Damage or malfunctions resulting from: accidents, abuse, modifications, alterations, or improper servicing. Freezing or chemical deterioration. Normal maintenance such as adjustments, fuel system cleaning and obstruction (due to chemical, dirt, carbon or lime, etc.).

THIS WARRANTY IS IN PLACE OF ALL OTHER WARRANTIES, EXPRESS OR IMPLIED, SPECIFICALLY, THE COMPANY MAKES NO OTHER WARRANTIES AS TO MERCHANTABILITY OR FITNESS FOR A PARTICULAR PURPOSE. THE DURATION OF ANY IMPLIED WARRANTIES WHICH CANNOT BE DISCLAIMED IS LIMITED TO THE TIME PERIOD AS SPECIFIED IN THE EXPRESS WARRANTY. LIABILITY FOR CONSEQUENTIAL, INCIDENTAL, OR SPECIAL DAMAGES UNDER ANY AND ALL WARRANTIES IS EXCLUDED, EVEN IF SUCH DAMAGES ARE A DIRECT RESULT OF THE COMPANY'S NEGLIGENCE. THE COMPANY ALSO DISCLAIMS ANY RESPONSIBILITY FOR INCIDENTAL OR CONSEQUENTIAL DAMAGES SUCH AS THE LOSS OF TIME OR THE USE OF THE POWER EQUIPMENT, OR ANY COMMERCIAL LOSS DUE TO THE FAILURE OF THE EQUIPMENT: AND ANY IMPLIED WARRANTIES ARE LIMITED TO THE DURATION OF THIS WRITTEN WARRANTY.

Some states do not allow limitations on how long an implied warranty lasts, or the exclusion or limitation of incidental or consequential damages, so the above limitations or exclusions may not apply to you. This warranty gives you specific legal rights and you may also have other rights, which vary from state to state.

For service, see your nearest COMPANY-Authorized warranty service facility or call 1-877-544-0982. Warranty service can be performed only by a COMPANY-Authorized service facility. This warranty will not apply to service at any other facility. At the time of requesting warranty service, evidence of original purchase date must be presented.

Generac Portable Products

Jefferson, Wisconsin U.S. A.